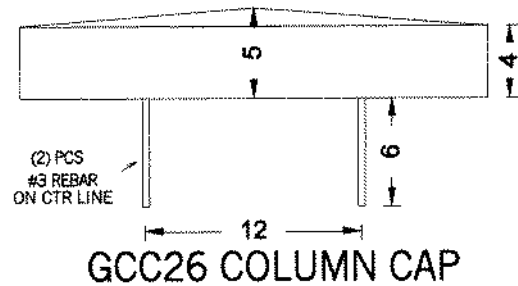
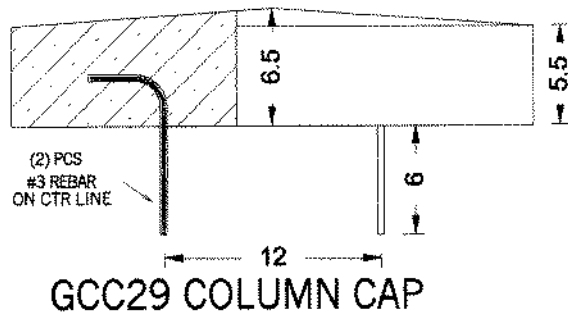
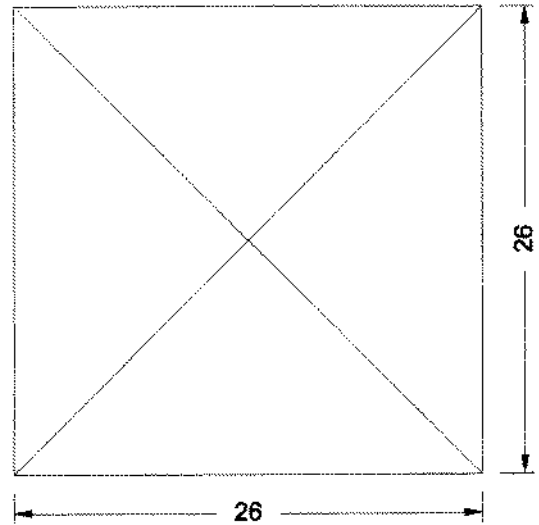
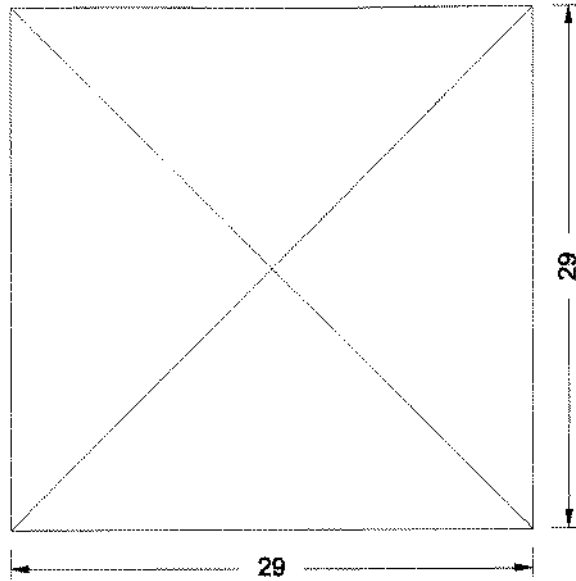


# Robbins Precast

“Manufacturer of precast concrete products since 1974”



GCC29 COLUMN CAP

GCC26 COLUMN CAP

NuCast Industries, Inc.  
23220 Park Canyon Dr  
Corona, CA 92883  
Tele 951-277-8888  
Fax 951-277-8052  
www.robbsinc.com  
J32robbs@earthlink.net

CC29/26

Column Caps