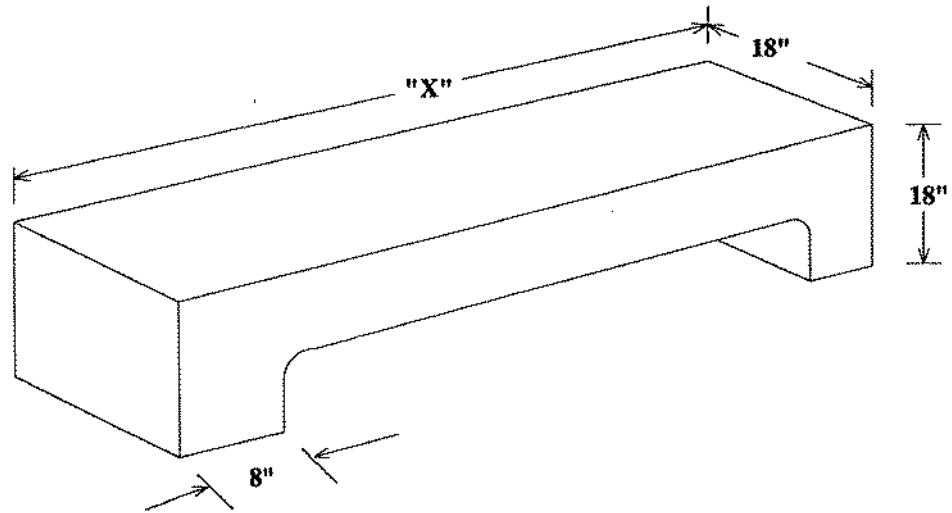


Robbins Precast

"Manufacturer of precast concrete products since 1974"



| CATALOG NO. | DIMENSION "X" | WEIGHT |
|-------------|---------------|----------|
| EMP-48 | 48" | 900 LBS |
| EMP-60 | 60" | 1050 LBS |
| EMP-72 | 72" | 1200 LBS |
| EMP-84 | 84" | 1350 LBS |
| EMP-96 | 96" | 1500 LBS |
| EMP-108 | 108" | 1650 LBS |
| EMP-120 | 120" | 1800 LBS |



NuCast Industries
 23220 Park Canyon Dr
 Corona, CA 92883
 Tele 951-277-8888
 Fax 951-277-8052
 www.robbsinc.com
 J32robbs@earthlink.net

EMP Series

This is a one piece concrete bench. It is available in various colors and finishes, and is steel reinforced