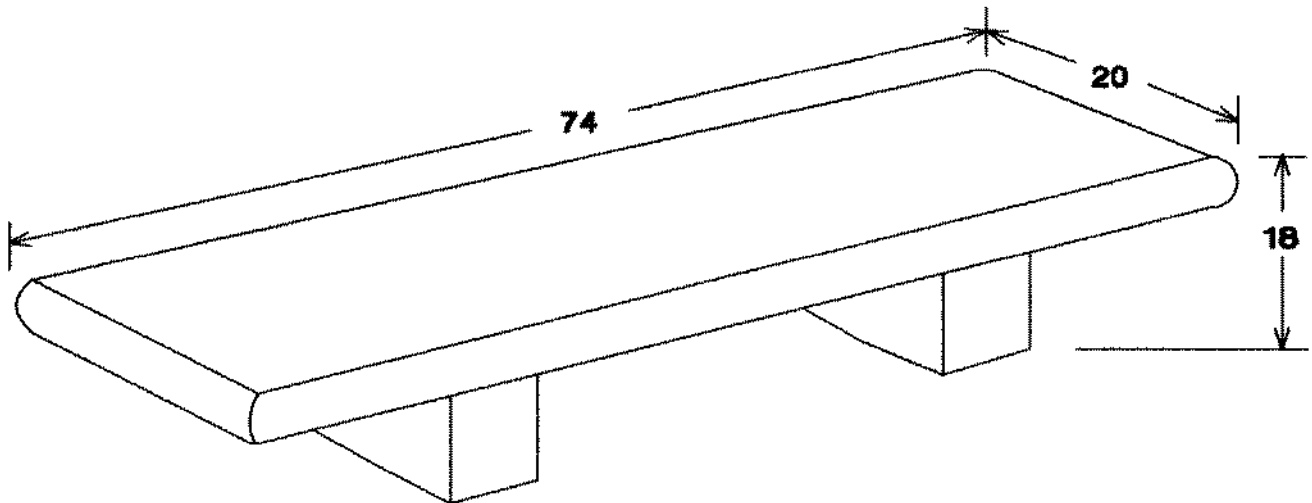


Robbins Precast

“Manufacturer of precast concrete products since 1974”



NuCast Industries
23220 Park Canyon Dr
Corona, CA 92883
Tele 951-277-8888
Fax 951-277-8052
www.robbinsinc.com
J32robbins@earthlink.net

QM72

This is a one piece bench. Available in various colors and surface finishes. Bench weighs approximately 550 lbs and is steel reinforced.