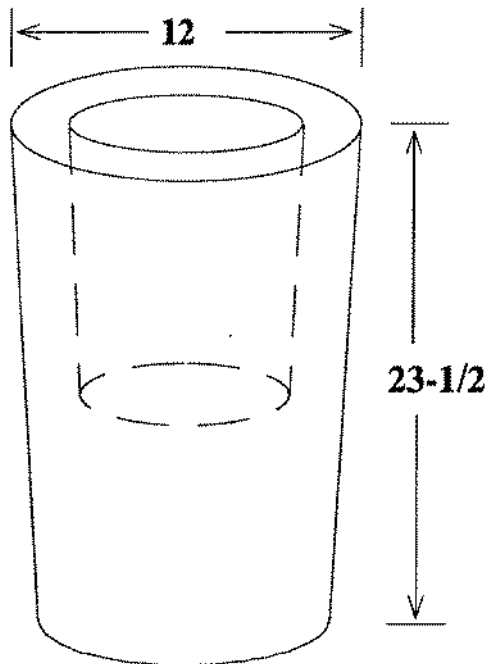
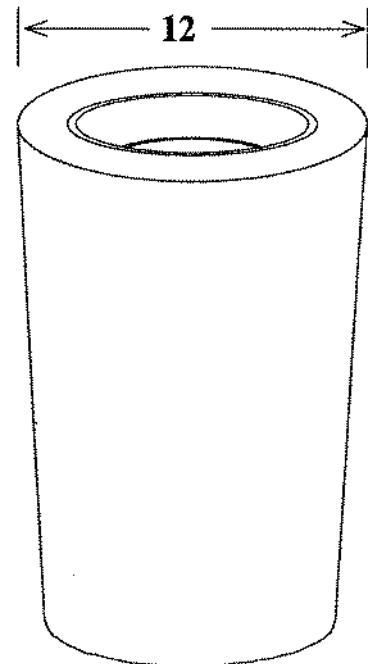


Robbins Precast

“Manufacturer of precast concrete products since 1974”



CAT. NO. **HOLLOW**
WEIGHT **SH-1223**
150 LBS



STAINLESS BOWL
SB-1223
200 LBS

NuCast Industries, Inc.
 23220 Park Canyon Dr
 Corona, CA 92883
 Tele 951-277-8888
 Fax 951-277-8052
 www.robbsinc.com
 J32robbsins@earthlink.net

SU

Concrete Sand Urn

Available in various colors and finishes