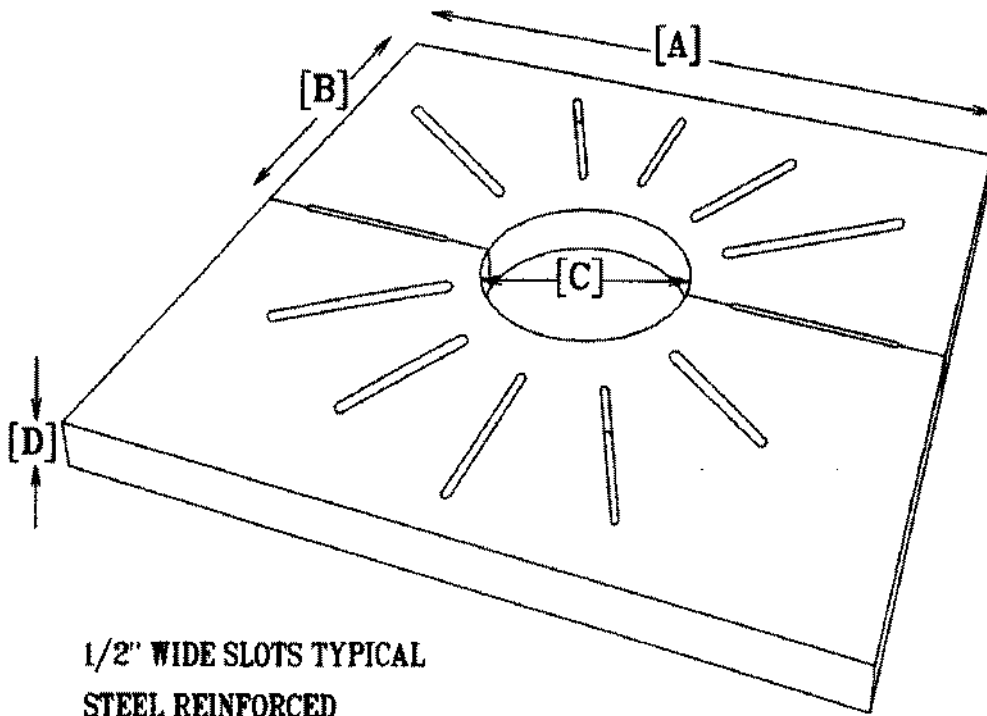


Robbins Precast

"Manufacturer of precast concrete products since 1974"

CAT. NO.	[A]	[B]	[C]	[D]
TG3636	35-3/8"	17-11/16"	16" DIA	2-1/2"
TG4848	48"	24"	14" DIA	2-1/2"



1/2" WIDE SLOTS TYPICAL
 STEEL REINFORCED
 CUSTOM SIZES AVAILABLE

NuCast Industries, Inc.
 23220 Park Canyon Dr
 Corona, CA 92883
 Tele 951-277-8888
 Fax 951-277-8052
 www.robbsinc.com
 J32robbsins@earthlink.net

TG36/38

Concrete Tree Grate