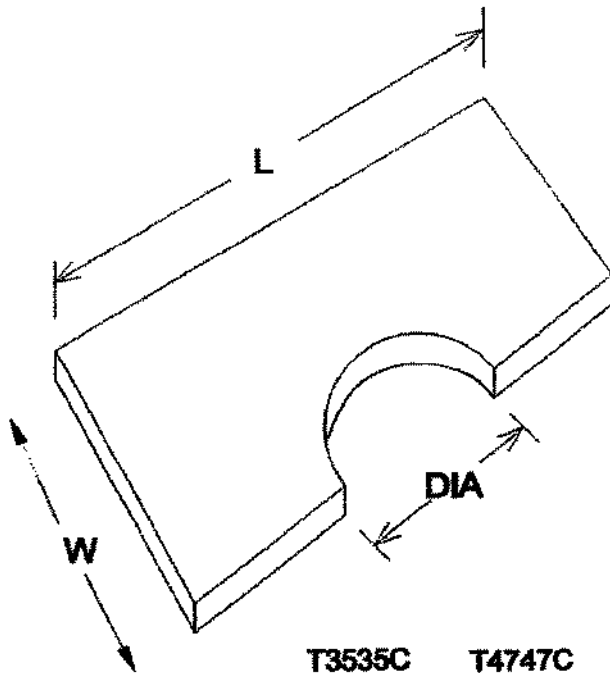


Robbins Precast

“Manufacturer of precast concrete products since 1974”



	T3535C	T4747C	T4949C	T4141C	T3566C
(L) DIMENSION	35"	47"	49"	41"	35"
(W) DIMENSION	17-1/2"	23-1/2"	24-1/2"	20-1/2"	33"
DIA. DIMENSION	12"	18"	16"	12"	16"
WT./HALF	124 LBS	221 LBS	232 LBS	186 LBS	232 LBS

NuCast Industries, Inc.
 23220 Park Canyon Dr
 Corona, CA 92883
 Tele 951-277-8888
 Fax 951-277-8052
 www.robbsinc.com
 J32robbs@earthlink.net

TWC

Tree Well Covers

This cover provides not only an attractive base to any tree, but also reduces maintenance cost. Covers are supplied in two sections to permit fast and accurate installation. The porosity of this patented formulation is illustrated in the above pictures. Treewell covers are available in a wide variety of colors and sizes. Custom sizes are available on special order.