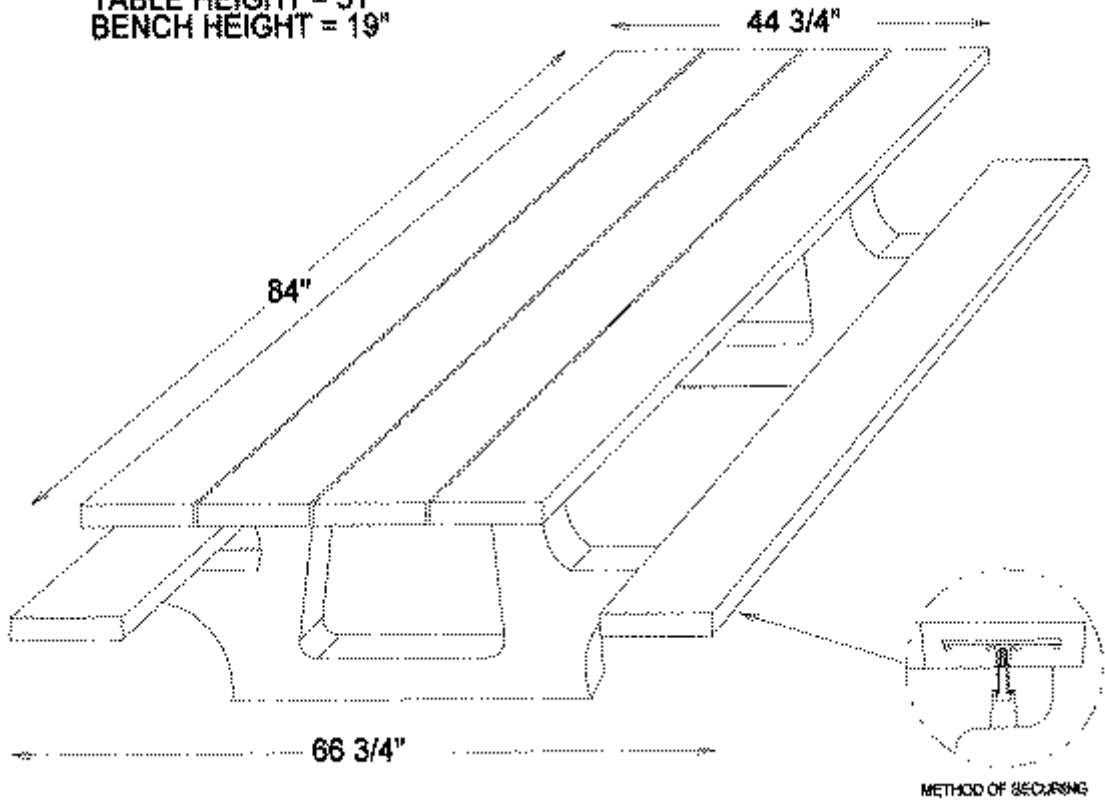


Robbins Precast

“Manufacturer of precast concrete products since 1974”



TABLE HEIGHT = 31"
BENCH HEIGHT = 19"



NuCast Industries
23220 Park Canyon Dr
Corona, CA 92883
Tele 951-277-8888
Fax 951-277-8052
www.robbsinc.com
J32robbs@earthlink.net

PT84

This is an eight (8) piece picnic table steel reinforced with no. 3 rebar. It is available in various colors. Weight is approximately 1,850 lbs. Double reinforcing in each of the two (2) leg supports.