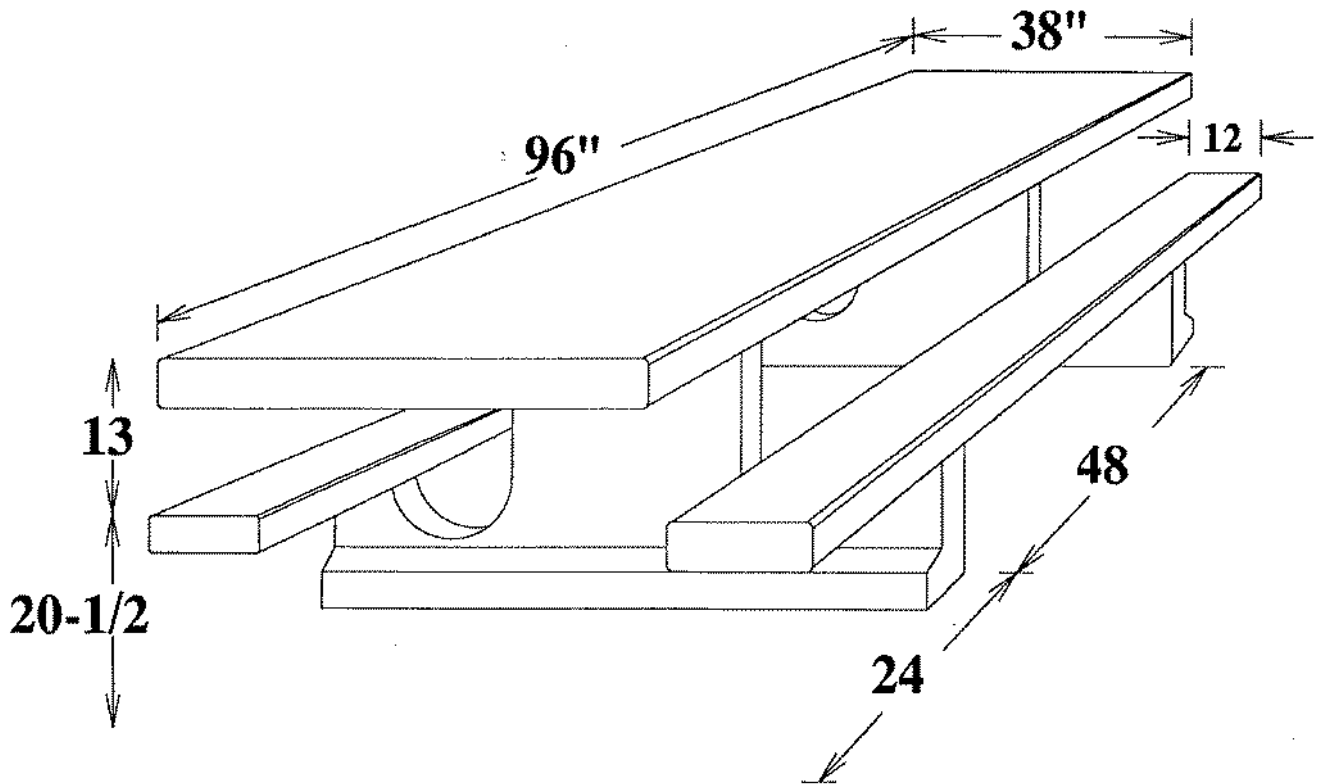


# Robbins Precast

"Manufacturer of precast concrete products since 1974"



NuCast Industries  
23220 Park Canyon Dr  
Corona, CA 92883  
Tele 951-277-8888  
Fax 951-277-8052  
www.robbinsinc.com  
J32robbins@earthlink.net

PT96

Our PT96 table with attached seats is designed to accommodate wheel chairs at both ends. This heavy duty table weighs approximately 3,000 lbs. It is steel reinforced and is available in various colors.